

BETRIEBSANLEITUNG
OPERATING INSTRUCTIONS
INSTRUCCIONES DE SERVICE
ISTRUZIONI D'USO
HANDLEIDING
INSTRUCCIONES PARA EL MANEJO
MANUAL DE INSTRUÇÕES
NAUDOJIMOSI INSTRUKCIJA
KASUTUSJUHEND
LIETOŠANAS INSTRUKCIJA
DRIFTSINSTRUKS
DRIFTSINSTRUKTIONER
DRIFTSVEJLEDNING
INSTRUKCJA OBSŁUGI

KEZELÉSI ÚTMUTATÓ
NÁVOD K OBSLUZE
NAVODILO ZA UPORABO
NÁVOD NA OBSLUHU
UPUTE ZA RAD
MANUAL DE OPERATII
TREORACHA OIBRIÚCHÁIN
ΟΔΗΓΙΕΣ ΧΡΗΣΗΣ
EL KITABI
ИНСТРУКЦИИ ЗА ЕКСПЛОАТАЦИЯ
ИНСТРУКЦИЯ ПО ЕКСПЛОАТАЦИИ
取扱説明書
사용설명서
使用说明书

SV 500

MAKE IT BECKER.



 **BECKER**

| | | |
|--|--|--|
| | | |
| | | |
| | | |

1

| | | |
|---|--|---------------------------|
| | <p> No. year No. type frequency Hz speed min⁻¹ power required kW inlet capacity m³/h pressure mbar vacuum mbar </p> | m ³ /h mbar |
| DIN EN ISO 11203 Accuracy Class 2 K _{PA} = 3 dB(A) l←1m | SV 500/1 (Pressure) ▶ 50/60 Hz, +310/+300 mbar L _{PA} = 75.4/77.4 dB(A) | |
| | SV 500/1 (Vacuum) ▶ 50/60 Hz, -230/-245 mbar L _{PA} = 75.5/76.7 dB(A) | |
| | SV 500/2 (Pressure) ▶ 50/60 Hz, +330/+350 mbar L _{PA} = 69.8/72.2 dB(A) | |
| | SV 500/2 (Vacuum) ▶ 50/60 Hz, -265/-230 mbar L _{PA} = 68.9/71.7 dB(A) | |

2

| | | |
|---|--|--------------------------------------|
| static inst. ①-③ | | dynamic installation Gebr. BECKER |
| | | |
| The pump must be securely mounted at the place of installation. Physical tension on the blower housing must be avoided. | | |
| | | |
| | | 75,5 kg 166.5 lbs |

3

| | | |
|------------------|------------|--|
| | 40°C/104°F | optional en option optionale optional Filter |
| | -10°C/14°F | |
| INLET AIR | 40°C/104°F | A > 100mm B > 295mm 0°C/32°F A > 4" B > 11½" |
| | 0°C/32°F | |
| | max. 800m | max. 90% |
| | max. 90% | |

4

5

| | | | |
|--|---------------|--|-----------------|
| | VACUUM | | PRESSURE |
| | | | |
| | | | AIR |
| | | >100°C >212°F | |
| | | optional en option optionale optional | |

6

Frequency > 60Hz
Please consult **BECKER**

| | | | |
|---|--|--|---|
| BECKER <small>Max No. 3000000 3-Phase 300000002</small> <small>EN60035</small> | 50 Hz <small>3x380V 3x230/400V 50 Hz</small> <small>20000/20000 VA 17</small> <small>3x3000/20000 A</small> | 60 Hz <small>3x380V 3x230/400V 60 Hz</small> <small>20000/20000 VA 17</small> <small>3x3000/20000 A</small> | <small>EN60035</small> <small>3000/30000 rpm</small> |
|---|--|--|---|

7

| GENERAL | ADDITIONAL $\geq 5.5 \text{ kW}$ |
|---|---|
| <p>¹⁾ motor protection switch ✔</p> <p>✘</p> | <p>RECOMMENDATION</p> <div style="border: 1px solid black; padding: 5px; margin-bottom: 10px;"> A Softstart </div> <div style="border: 1px solid black; padding: 5px;"> B </div> |
| <p>ON (I) - 1 2 MAX 10/h</p> <p>OFF (0) - </p> | <p>OPTIONAL</p> <p>PTC</p> |

8

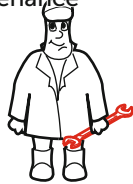


9

10


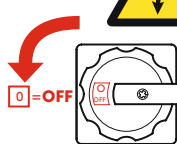




| | | |
|------------------------|-------------------|----------------------|
| <p>PRESSURE</p> | <p>G 3</p> | <p>VACUUM</p> |
| | | |

11


Maintenance



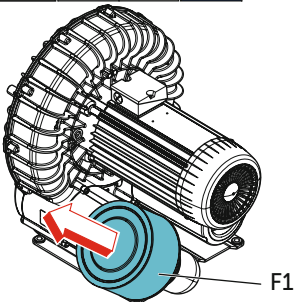
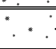
12

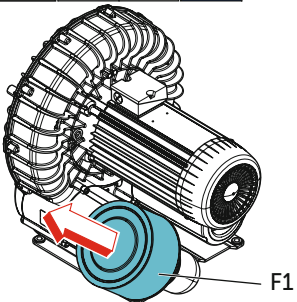







n=0min⁻¹



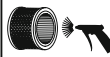

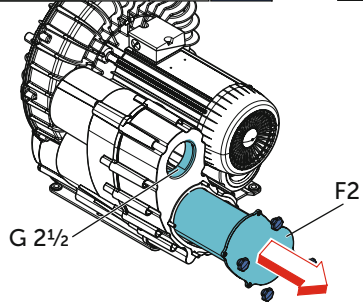
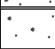
13

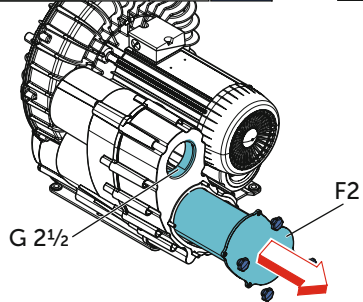
| | | | | |
|--|---|---|-------------------|--|
|  | SUCTION AIR |  | 40h ↑↓ 200h | PRESSURE |
| CLEANING INTERVAL |  |  | | optional en option optionale opcional |



F1

14

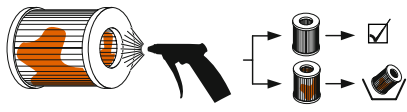
| | | | | |
|---|---|---|-------------------|--|
|  | SUCTION AIR |  | 40h ↑↓ 200h | VACUUM PRESSURE |
| CLEANING INTERVAL |  |  | | optional en option optionale opcional |



G 2 1/2


F2

15





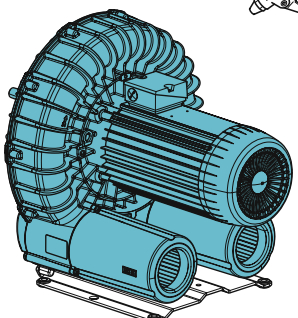
F1: PRESSURE
No.: 90959100000

F2: VACUUM
+ PRESSURE
No.: 90951030000

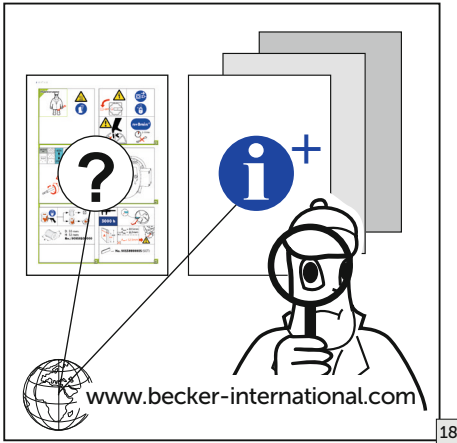


EN149 - FFP3
42 CFR 84 - N100

16

17



Gebr. Becker GmbH
Hoelker Feld 29-31
42279 WUPPERTAL
GERMANY
info@becker-international.com
www.becker-international.com



The logo consists of a circular icon with three stylized human figures inside, followed by the word 'BECKER' in a bold, blue, sans-serif font.



MAKE IT BECKER.

281000605001 2020-07-23 | All rights reserved